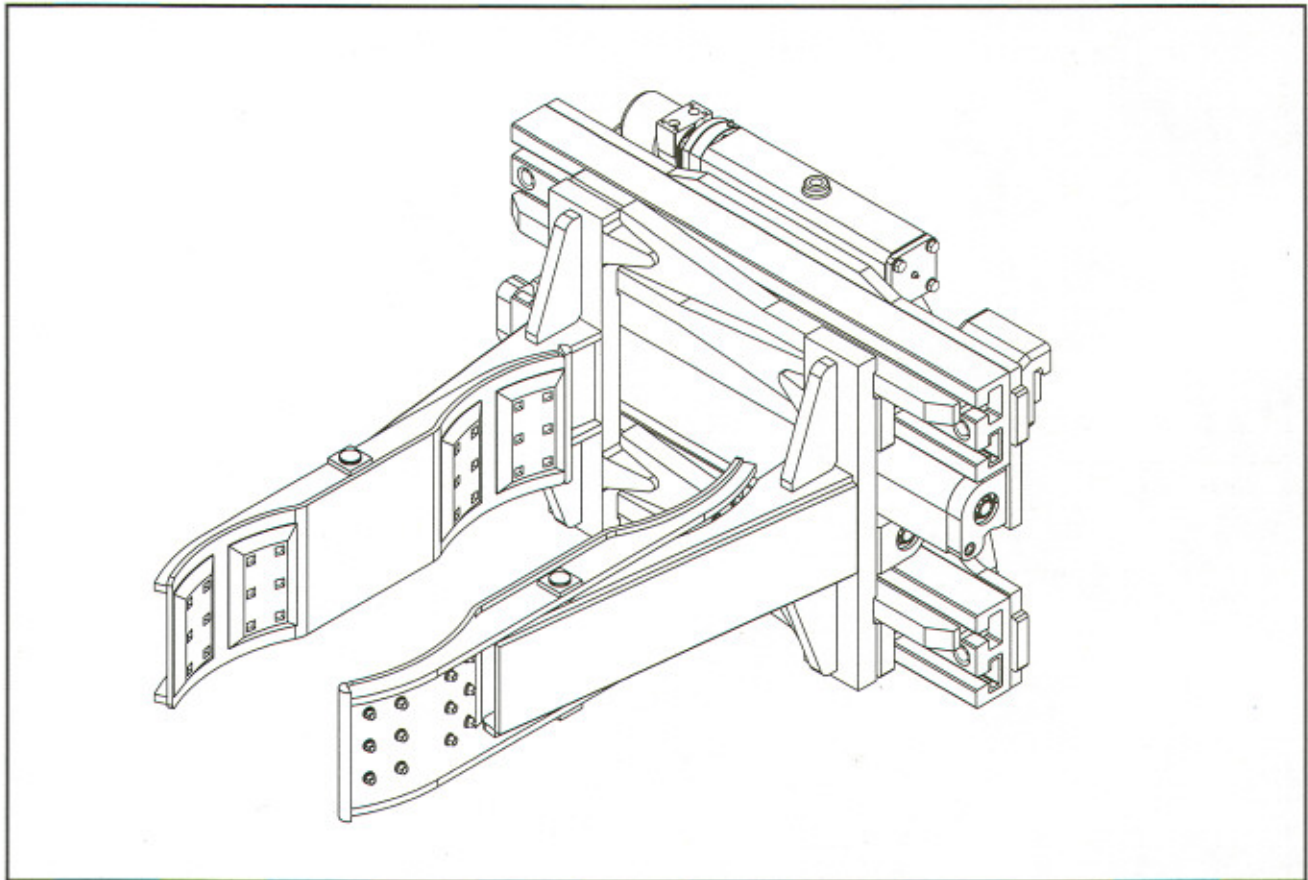


2-4 Drum Clamp

Non-Side Shifting Type, Side Shifting Type, Rotating Type



- The Drum Clamp has a pair of curved clamp arms to ensure the safe and efficient handling of drum. This attachment is specially designed to handle a wide range of drum-type containers for petroleum products, paint, chemicals, ink, glue and solid, as well as empty drums. It is available in non side shifting, side shifting, and rotating types in either two- or four-drum versions.