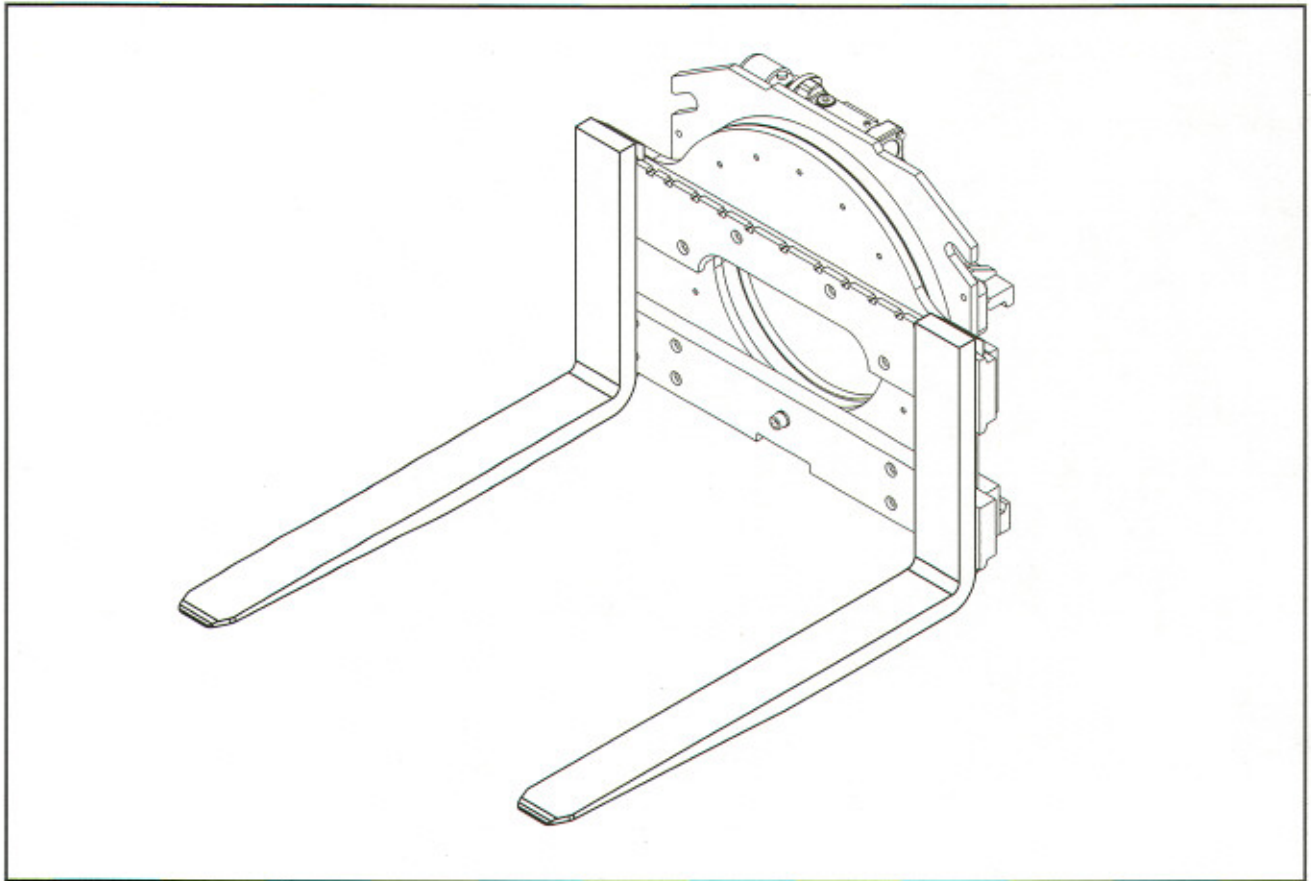


# 360° Rotating Fork

Heavy Duty Type



- On this attachment, the fork and fork bar rotate together. With the Rotating Forks, lift trucks can efficiently handle scraps. Installation of a vessel also allows the handling of free- and semi-flowing materials. This attachment is especially useful at lumber mills, feed plants, foundries, and food processing plants, among others. Standard fork operation is possible with the fork set horizontally.