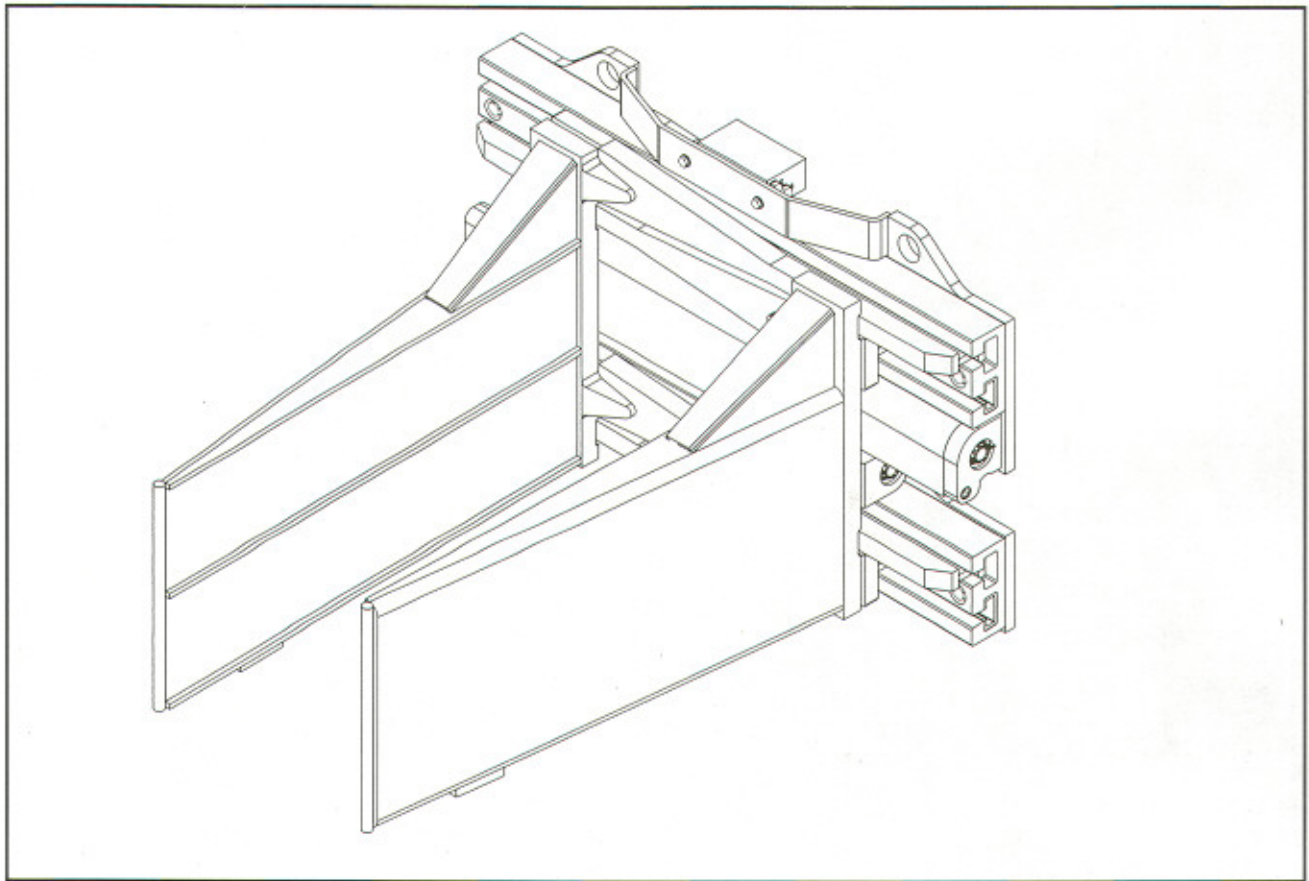


Bale Clamp

Independent Arm moving Type



- The laterally adjustable Bale Clamp facilitates the palletless handling of materials. This attachment is available in non-side shifting arm, independent-arm, shifting, and rotating types. It is suitable for applications in the manufacturing, trans-orting and warehousing of raw cotton, raw hemp, pulp, fabric, and similar products. A Rotating Bale Clamp is also available.