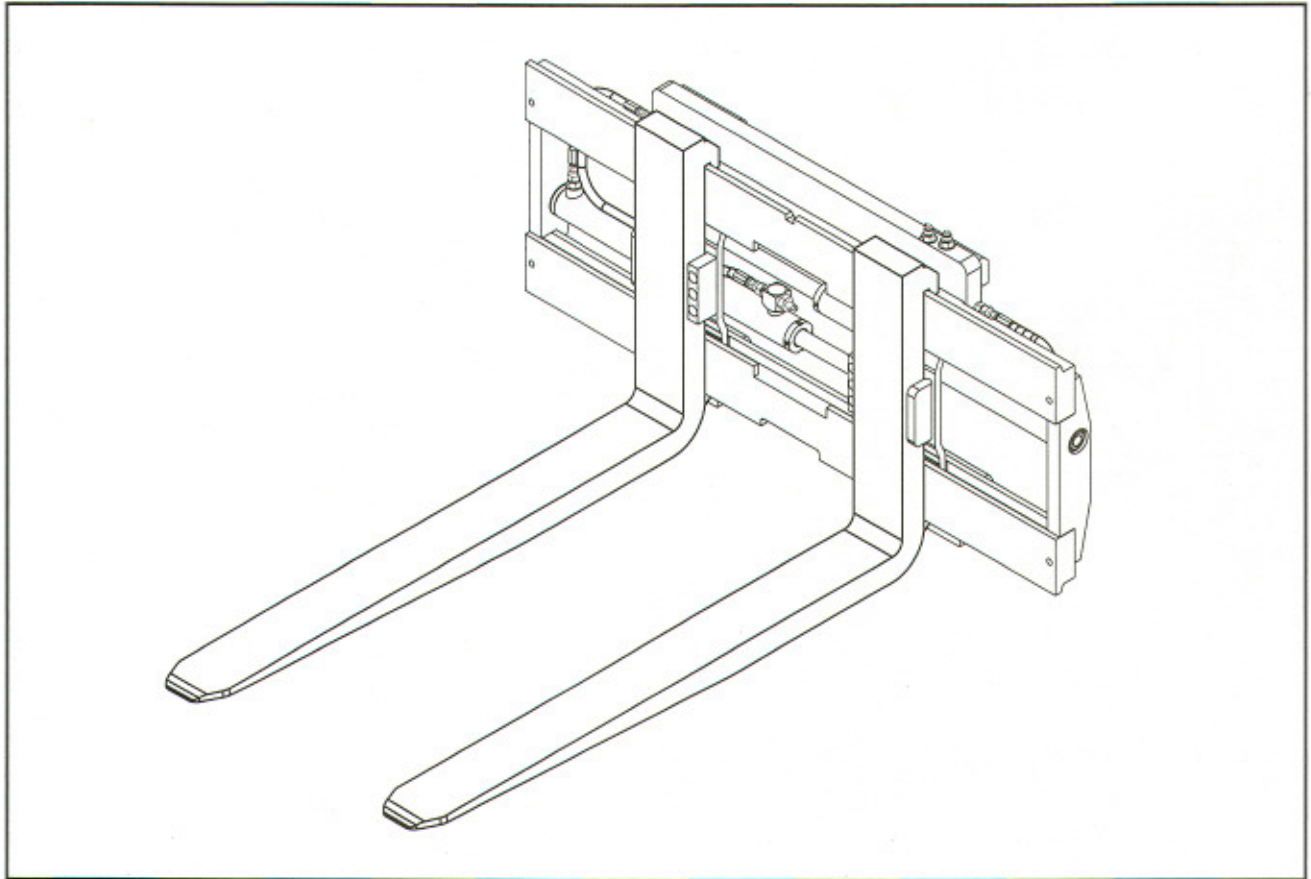


# Fork Positioner



- With The Fork Positioner, the distance between the forks can be adjusted freely to suit various sizes of loads, providing a more versatile handling capability. Also, with some types of fork positioner, the fork can be aligned to form a ram.