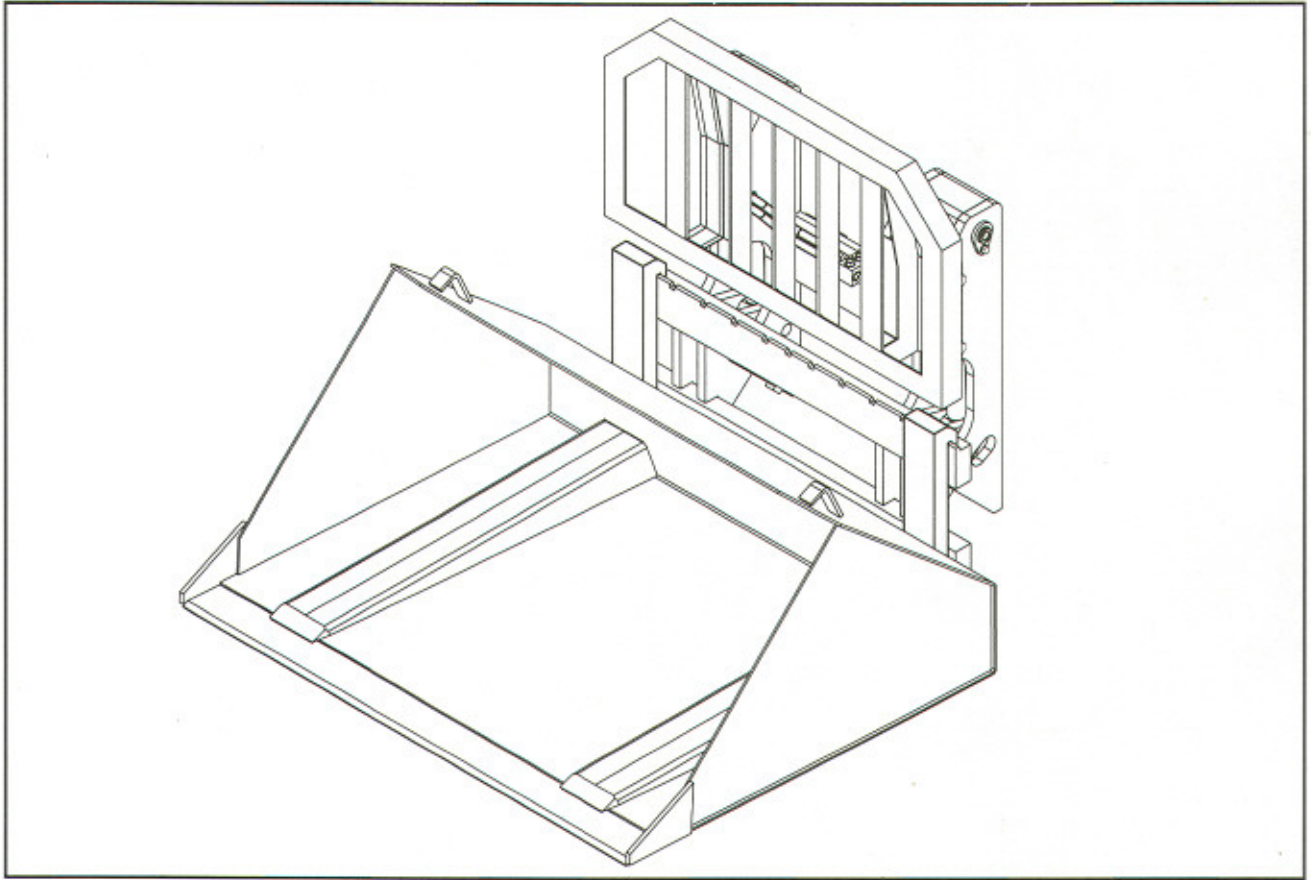


# Hinged Bucket



- The Hinged Bucket is a bucket attached to a hinged fork. It allows lift trucks to be used for handling bulk cargoes such as chemical fertilizer, feed, and coal, etc.