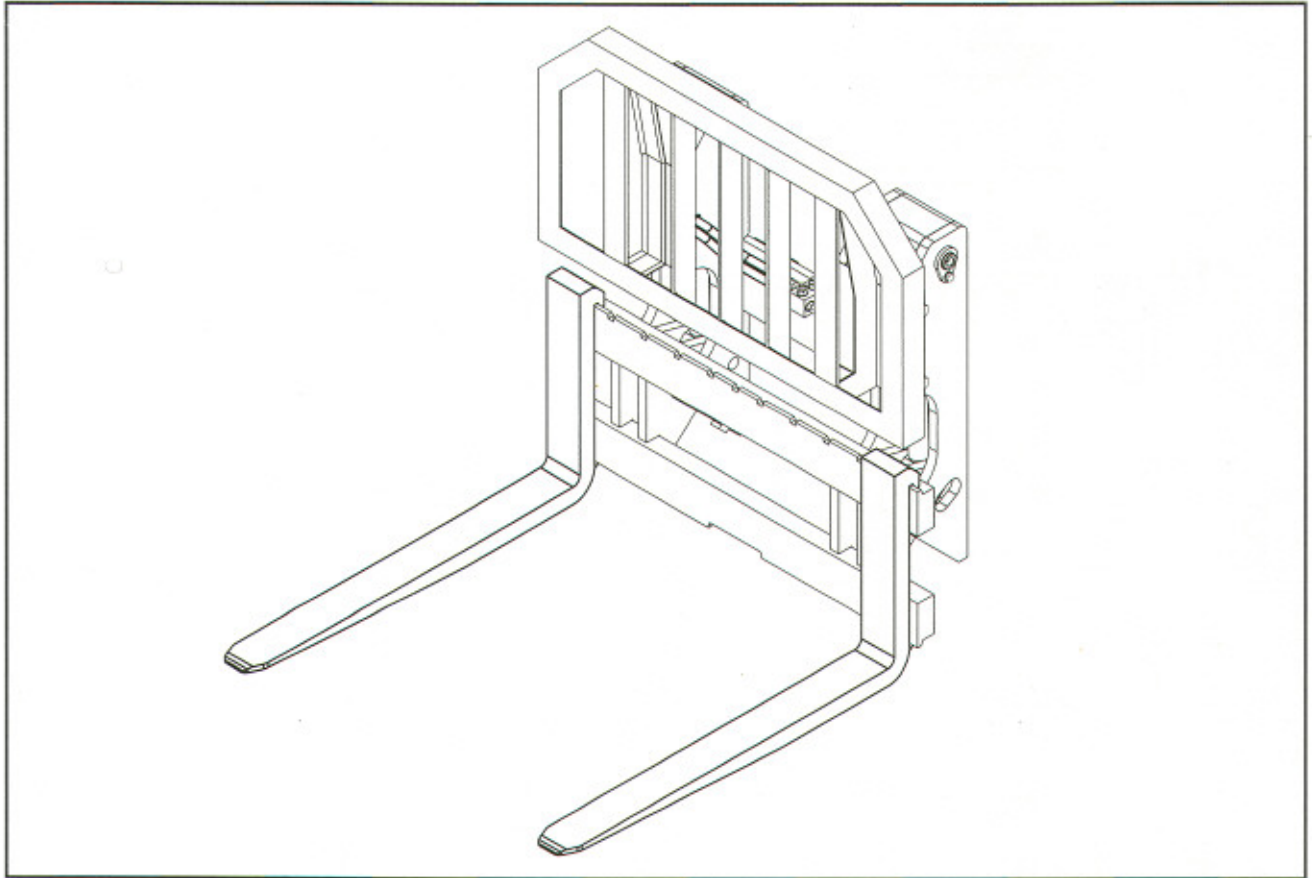


# Hinged Fork



- The Hinged Forks are especially suited for log carrying operations. The attachment consists of a fixed backrest and vertically tiltable forks, which also perform standard pallet operations when the forks are in a horizontal position.