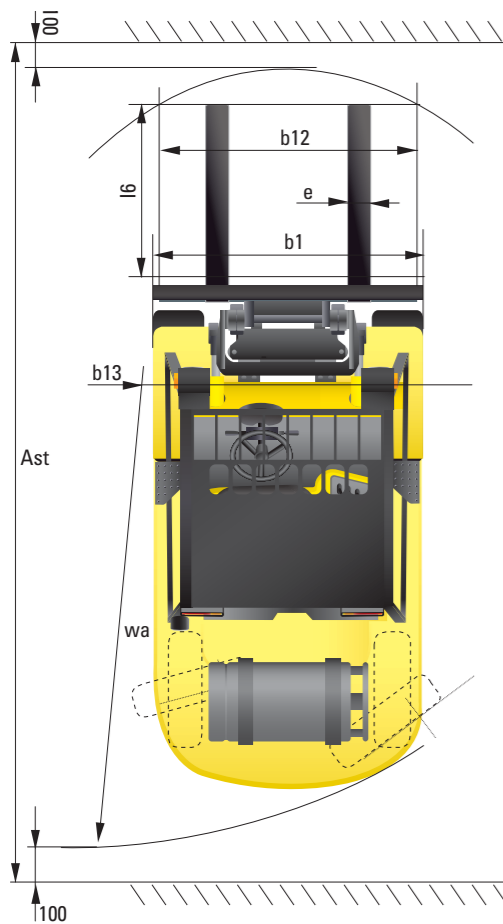
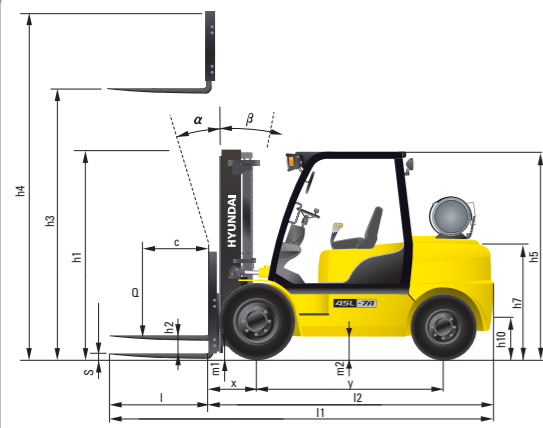


Dimension



Specification

Identification						
1.1	Manufacturer	Hyundai	Hyundai	Hyundai	Hyundai	
1.2	Manufacturer's type designation	35L-7A	40L-7A	45L-7A	50L-7A	
1.3	Drive: electric (battery or mains), diesel, petrol, fuel gas, manual	LP	LP	LP	LP	
1.4	Type of operation: hand, pedestrian, standing, seated, order-picker	seated	seated	seated	seated	
1.5	Load capacity / rated load	Q (kg)	3,500	4,000	4,500	5,000
1.6	Load center distance	c (mm)	600	600	600	600
1.8	Load distance, center of drive axle to fork	x (mm)	561	561	561	576
1.9	Wheelbase	y (mm)	2,000	2,000	2,000	2,000
Weights						
2.1	Service weight	kg	5,593	6,163	6,579	7,043
2.2	Axle loading, loaded front/rear	kg	8,166 / 927	9,094 / 1,069	9,891 / 1,188	10,716 / 1,372
2.3	Axle loading, unloaded front/rear	kg	2,634 / 2,959	2,772 / 3,391	2,779 / 3,800	2,814 / 4,229
Wheels, Chassis						
3.1	Tires: solid rubber, superplastic, pneumatic, polyurethane	Pneumatic / Solid rubber	Pneumatic / Solid rubber	Pneumatic / Solid rubber	Pneumatic / Solid rubber	
3.2	Tires size, front (width x Φ)	8.25 x 15 x 14pr	7.50 x 16 x 12pr	7.50 x 16 x 12pr	7.50 x 16 x 12pr	
3.3	Tires size, rear (width x Φ)	7.00 x 12 x 12pr	7.00 x 12 x 12pr	7.00 x 12 x 12pr	7.00 x 12 x 14pr	
3.5	Wheels, number front x rear (x=driven wheels)	2 x 2	4 x 2	4 x 2	4 x 2	
3.6	Track width, front	b10 (mm)	1,132	1,282	1,282	1,282
3.7	Track width, rear	b11 (mm)	1,140	1,140	1,140	1,140
Basic Dimensions						
4.1	Mast / fork carriage tilt forward / backward (α/β)	degrees	8 / 10	8 / 10	8 / 10	8 / 10
4.2	Lowered mast height	h1 (mm)	2,235	2,220	2,220	2,220
4.3	Free lift	h2 (mm)	120	120	120	120
4.4	Lift height	h3 (mm)	3,020	3,020	3,020	2,930
4.5	Extended mast height	h4 (mm)	4,224	4,224	4,235	4,147
4.7	Overhead guard (cab) height	h5 (mm)	2,240	2,240	2,240	2,240
4.8	Seat height / standing height	h7 (mm)	1,100	1,100	1,100	1,100
4.12	Coupling height	h10 (mm)	385	385	385	385
4.19	Overall length	l1 (mm)	4,145	4,205	4,405	4,435
4.20	Length to face of forks	l2 (mm)	3,075	3,135	3,185	3,235
4.21	Overall width	b1 (mm)	1,370	1,740	1,740	1,740
4.22	Fork dimensions	s / e / l (mm)	50 x 122 x 1,070	50 x 150 x 1,070	50 x 150 x 1,220	60 x 150 x 1,200
4.23	Fork carriage ISO 2328, class / type A,B	III / A	III / A	IV / A	IV / A	IV / A
4.24	Fork-carriage width	b12 (mm)	1,300	1,600	1,600	1,600
4.31	Ground clearance, loaded, under mast	m1 (mm)	170	155	155	155
4.32	Ground clearance, centre of wheelbase	m2 (mm)	200	200	200	200
4.33	Aisle width for pallets 1000x1200 crossways	Ast (mm)	4,567	4,620	4,666	4,708
4.34	Aisle width for pallets 800x1200 lengthways	Ast (mm)	4,767	4,820	4,866	4,908
4.35	Turning radius	Wa (mm)	2,806	2,859	2,905	2,947
4.36	Smallest pivot point distance	b13 (mm)	1,009	1,009	1,009	1,009
Performance Data						
5.1	Travel speed, Unloaded	km/h	23.8	22.9	22.9	22.8
5.2	Lift speed, Loaded/Unloaded	mm/s	510 / 530	510 / 530	510 / 530	440 / 460
5.3	Lowering speed, Loaded/Unloaded	mm/s	500 / 450	500 / 450	500 / 450	500 / 450
5.5	Drawbar pull, Loaded	kg	4,002	4,065	3,930	3,911
5.7	Gradient performance, Loaded	%	40.5	36.2	31.6	28.7
5.10	Service brake		Hydraulic	Hydraulic	Hydraulic	Hydraulic
Engine						
6.1	Engine manufacturer / type		GM 4.3L	GM 4.3L	GM 4.3L	GM 4.3L
6.2	Engine power acc. to ISO 1585	Kw	70	70	70	70
6.3	Rated speed	1/min	2,300	2,300	2,300	2,300
6.4	No. of cylinder / cubic capacity	/cm ³	6 / 4,294	6 / 4,294	6 / 4,294	6 / 4,294
Other Details						
8.2	Type of drive control		Power Shift	Power Shift	Power Shift	Power Shift
8.3	Operating pressure	bar	210 / 150	210 / 150	210 / 150	210 / 150
8.4	Oil volume	l/min	61	61	61	61
8.5	Noise	db(A)	80	80	80	80



Some of the photos may include optional equipment.

HYUNDAI LPG FORKLIFT TRUCKS Applied Tier 4 Engine

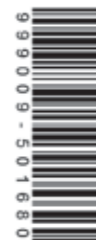
35L/40L/45L/50L-7A

HYUNDAI FORKLIFT
HEAVY INDUSTRIES CO., LTD.

Head Office (Sales Office)
14TH FL., HYUNDAI BLDG., 140-2, KYE-DONG, JONGNO-GU, SEOUL, KOREA 110-793
TEL (82) (2) 746-4609, 4638 FAX (82) (2) 746-7444-7445

Americas Operation : Hyundai Construction Equipment Americas, Inc.
955 ESTES AVENUE, ELK GROVE VILLAGE, IL. 60007, U.S.A. TEL (1) 847-437-3333 FAX (1) 847-437-3574

Europe Operation : Hyundai Heavy Industries Europe N.V.
VOSSENDAAL 11, 2440 GEEL, BELGIUM TEL (32) 14-56-2200 FAX (32) 14-59-3405



PLEASE CONTACT

www.hyundai-ce.com

2013.09 Rev.3.

HYUNDAI
HEAVY INDUSTRIES CO., LTD.

We build a better future

NEW criteria of Forklift Trucks

Hyundai introduces a new line of 7A series LPG forklift trucks. Excellent power and performance make your business more profitable.



OPSS (Operator Presence Sensing System)

Control of mast tilting, lifting and lowering is not possible through operation of the appropriate control when the operator is not in the seated position.

■ Some of the photos may include optional equipment.

The new master on the job-site!

Smooth running, efficient and ergonomically designed, 35/40/45/50L-7A series are made to meet your needs.

70kW/2,300rpm



Powerful Engine GM 4.3L V6 Engine

Market approved quality of GM 4.3L V6 engine ensures incomparable performance, durability and additional value to the machine. Powerful and efficient engine provides excellent fuel economy and excellent torque for improved operation.
(EPA/CARB Tier-IV Certified)

Fast and Stable Performance

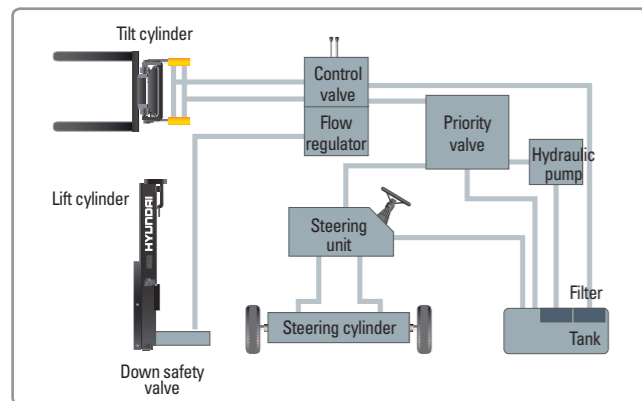
Being able to quickly raise and lower the mast, as well as tilt it forward and backward, provides the best operational conditions during unloading.

When the truck is fully loaded, mast lowering speed is carefully controlled to ensure safety by the down control valve.

Mast(Lift and Tilt) Look System is standard.



Some of the photos may include optional equipment.



State-of-the-art Hydraulic System

The latest large-capacity hydraulic system reacts quickly during operation, and a low-noise control valve increases both efficiency and durability.



Fully Hydrostatic Power Steering

A hydraulic steering system always guarantees smooth and flexible steering, preventing overrun and kick-back.



Increased Mast Tilting Angle

Utilizing the mast tilting angle of 8 degrees forward and 10 degrees backward, the operator can safely and rapidly perform loading and unloading jobs.

Faster Travel Speed & Better Gradability

The powerful high-output engine provides greater acceleration, better gradability and faster travel speed on any tough terrains or slopes.



Gradability(Loaded)

35L-7A : 40.5% 45L-7A : 31.6%
40L-7A : 36.2% 50L-7A : 28.7%

Travel Speed(Unloaded)

35L-7A : 23.8 km/h
40L-7A : 22.9 km/h
45L-7A : 22.9 km/h
50L-7A : 22.8 km/h

Ergonomic operator friendly compartment design!

A design based on human engineering relieves fatigue and increases operator's efficiency.

Operator Friendly Gauges and Water-resistant Monitor Panel



- ① Parking brake lamp
- ② Directional indicators
- ③ Fuel warning lamp
- ④ Engine oil warning lamp
- ⑤ Transmission oil temperature warning lamp
- ⑥ Battery charging warning lamp
- ⑦ Air cleaner filter warning light
- ⑧ Working light indicator
- ⑨ Water separator lamp
- ⑩ Pre-heater indicator
- ⑪ Water temperature gauge
- ⑫ Fuel gauge
- ⑬ Hour meter
- ⑭ Engine check lamp
- ⑮ Brake oil warning lamp
- ⑯ Seat belt warning
- ⑰ OPS warning (option)



Full Suspension Seat

An attractive and adjustable seat, based on a human engineering design, provides great comfort, safety and durability.



New High Visibility for Safe Operation

The operator is able to work with increased safety and accuracy due to a wider view mast.



■ Some of the photos may include optional equipment.



Ergonomically Positioned Pedals

Based on human engineering, the accelerator, brake and inching pedals are optimally positioned for convenience while operating the equipment.



Cup Holder & Console Box

Additional storage spaces are located inside the operating space for operator's convenience.



Quick Response of Operating Control Levers

Only minimal operator's effort is required for precise, safe and productive control.



Adjustable Steering Wheel

Steering wheel with horn button can be adjusted by a lever on the right-hand side for the most comfortable operator position.



Easy and Safe Shift Lever

A single lever on the left side of the steering column gives the operator fast, easy control of direction. The lever must be in the neutral position before the engine can be started.



Secondary Horn

Secondary Horn gives access to lights and horn.

Danger-free through high durability!

Safety and durability are priorities in design of the equipment.



Strong Overhead Guard

The safety overhead guard meets ISO 6055 regulation and protects the operator during hazardous jobs.



Parking brake

Ratchet type parking brake requires less effort the operator to set.

Highly Durable Split type Drive Axle

The planetary reduction drive axle smoothly delivers desired torque to the drive wheels.



■ Some of the photos may include optional equipment.



Large Footboard & Hand Grip

Wide "open" step offers convenience and safety when entering and exiting truck.



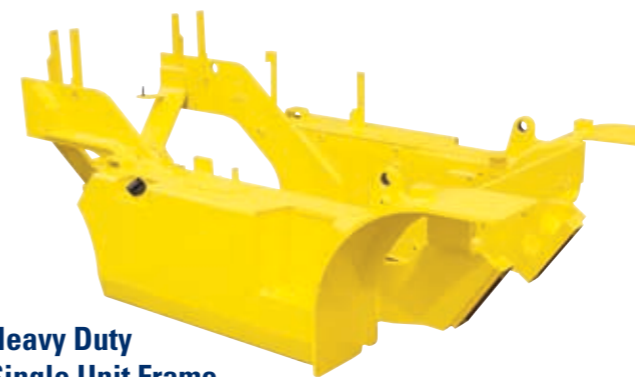
Expansion Bellows

The expansion bellows absorbs vibration and reduces noise generated from the exhaust system and also extends the life cycle of exhaust system.



Electrically Monitored Air Filter

Air cleaner sensor alerts the operator of a restricted air filter and allows replacement before damage.



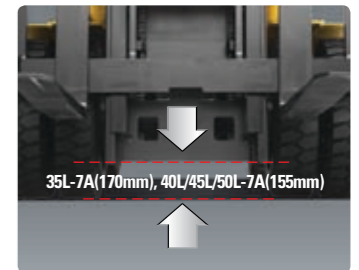
Heavy Duty Single Unit Frame

Heavy duty single unit type frame, designed on the basis of accurate structural analysis, guarantees durability and safety.



Bright, Protected Headlights

Bright, Protected head lights are positioned for exceptional visibility.



Ground Clearance

The engine and transmission are assembled horizontally and positioned high in the frame to protect major components during operation on rugged surface.

Designed for quick and easy service!

An ideal arrangement of component parts ensures easy access and convenience for maintenance.



Easy Change Air Cleaner

The air filter is readily accessible for cleaning or replacement. (6inch Cyclone Type)



Fast Service Access for Daily Fluids Check



Maintenance Free Battery



Aluminum Radiator with Superb Protection Against heat



Removable Side Panels for Ease of Service



Easy access of electrical Components

Various electric parts are centralized in dash board resulting in improvement in maintenance.



Easy Maintenance Oil Check

The T/M oil level can be checked easily without any disassembly.



Brake Fluid Reservoir with level switch

When the oil level becomes lower than Min, the warning lamp on the cluster lights on.



An Accessible, Compact Fuse Box for Easy Inspection

Mast Specification

35L-7A

Mast Type	Maximum Fork Height	Overall Height (Lowered)		Free Lift Height		Tilt Angle		Load Capacity without Side Shift at 600mm LC		Load Capacity with Side Shift at 600mm LC		Truck Weight (Unloaded)		
		Single Tire	Double Tire	With Backrest	With / o Backrest	Fwd	Bwd	Single Tire	Double Tire	Single Tire	Double Tire	Single Tire	Double Tire	
		mm	mm	mm	mm	deg	deg	kg	kg	kg	kg	kg	kg	
2-Stage Limited Free Lift	V270	2,720	2,085	2,070	120	120	8	10	3,500	3,500	3,500	3,500	5,563	5,718
	* V300	3,020	2,235	2,220	120	120	8	10	3,500	3,500	3,500	3,500	5,593	5,748
	V330	3,320	2,385	2,370	120	120	8	10	3,500	3,500	3,500	3,500	5,631	5,786
	V350	3,520	2,535	2,520	120	120	8	10	3,500	3,500	3,450	3,450	5,654	5,809
	V370	3,720	2,635	2,620	120	120	8	10	3,500	3,500	3,400	3,400	5,674	5,829
	V400	4,020	2,845	2,830	120	120	8	10	3,500	3,500	3,350	3,350	5,717	5,871
	V450	4,520	3,095	3,080	120	120	8	6	3,450	3,450	3,250	3,250	5,829	5,984
2-Stage full Free Lift	V500	5,020	3,345	3,330	120	120	8	6	3,350	3,350	3,150	3,150	5,880	6,035
	VF280	2,805	2,135	2,120	1,258	919	6	8	3,500	3,500	3,500	3,500	5,604	5,756
	VF300	3,005	2,235	2,220	1,358	1,019	6	8	3,500	3,500	3,500	3,500	5,630	5,782
3-Stage Full Free Lift	VF315	3,155	2,325	2,310	1,448	1,109	6	8	3,500	3,500	3,450	3,500	5,650	5,802
	TF370	3,730	2,035	2,020	822	1,149	6	6	3,500	3,500	3,300	3,350	5,820	5,975
	TF400	4,030	2,135	2,120	922	1,249	6	6	3,450	3,500	3,250	3,300	5,850	6,005
	TF430	4,330	2,235	2,220	1,022	1,349	8	8	3,400	3,450	3,150	3,200	5,881	6,036
	TF450	4,510	2,295	2,290	1,082	1,409	6	6	3,350	3,400	3,150	3,200	5,900	6,055
	TF470	4,720	2,385	2,390	1,172	1,499	6	6	3,300	3,350	3,100	3,150	5,936	6,091
	TF500	5,020	2,485	2,470	1,272	1,599	6	6	3,250	3,300	3,050	3,100	5,960	6,114
	TF550	5,520	2,665	2,650	1,452	1,779	6	6	3,100	3,200	2,750	3,000	6,021	6,175
TF600	6,030	2,845	2,830	1,632	1,959	6	6	2,600	3,100	2,450	2,900	6,089	6,244	
TF650	6,540	3,025	3,010	1,812	2,139	6	6	2,500	3,000	2,350	2,800	6,131	6,285	

40L-7A

Mast Type	Maximum Fork Height	Overall Height (Lowered)		Free Lift Height		Tilt Angle		Load Capacity without Side Shift at 600mm LC		Load Capacity with Side Shift at 600mm LC		Truck Weight (Unloaded)		
		Single Tire	Double Tire	With Backrest	With / o Backrest	Fwd	Bwd	Single Tire	Double Tire	Single Tire	Double Tire	Single Tire	Double Tire	
		mm	mm	mm	mm	deg	deg	kg	kg	kg	kg	kg	kg	
2-Stage Limited Free Lift	V270	2,720	2,085	2,070	120	120	8	10	4,000	4,000	4,000	4,000	6,027	6,133
	* V300	3,020	2,235	2,220	120	120	8	10	4,000	4,000	4,000	4,000	6,057	6,163
	V330	3,320	2,385	2,370	120	120	8	10	4,000	4,000	4,000	4,000	6,095	6,201
	V350	3,520	2,535	2,520	120	120	8	10	4,000	4,000	3,950	3,950	6,118	6,224
	V370	3,720	2,635	2,620	120	120	8	10	4,000	4,000	3,900	3,900	6,138	6,244
	V400	4,020	2,845	2,830	120	120	8	10	4,000	4,000	3,800	3,800	6,181	6,287
	V450	4,520	3,095	3,080	120	120	8	6	3,900	3,950	3,700	3,700	6,293	6,399
2-Stage full Free Lift	V500	5,020	3,345	3,330	120	120	8	6	3,750	3,850	3,550	3,600	6,344	6,450
	VF280	2,805	2,135	2,120	1,258	919	6	8	4,000	4,000	4,000	4,000	6,068	6,171
	VF300	3,005	2,235	2,220	1,358	1,019	6	8	4,000	4,000	4,000	4,000	6,094	6,197
3-Stage Full Free Lift	VF315	3,155	2,325	2,310	1,448	1,109	6	8	4,000	4,000	4,000	4,000	6,114	6,216
	TF370	3,730	2,035	2,020	807	1,134	6	6	4,000	4,000	3,850	3,850	6,284	6,355
	TF400	4,030	2,135	2,120	907	1,234	6	6	4,000	4,000	3,750	3,750	6,314	6,385
	TF430	4,330	2,235	2,220	1,007	1,334	8	8	3,900	3,950	3,700	3,700	6,345	6,416
	TF450	4,510	2,295	2,290	1,067	1,394	6	6	3,900	3,950	3,700	3,700	6,364	6,435
	TF470	4,720	2,385	2,390	1,157	1,484	6	6	3,850	3,900	3,600	3,650	6,400	6,471
	TF500	5,020	2,485	2,470	1,257	1,584	6	6	3,750	3,750	3,500	3,550	6,423	6,494
	TF550	5,520	2,665	2,650	1,437	1,764	6	6	3,600	3,650	3,350	3,450	6,485	6,555
TF600	6,030	2,845	2,830	1,617	1,944	6	6	3,050	3,500	2,900	3,300	6,553	6,624	
TF650	6,530	3,025	3,010	1,797	2,124	6	6	2,900	3,350	2,750	3,150	6,595	6,665	

Mast Specification

45L-7A

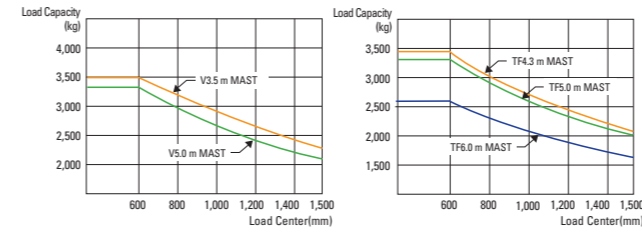
Mast Type	Maximum Fork Height	Overall Height (Lowered)		Free Lift Height		Tilt Angle		Load Capacity without Side Shift at 600mm LC		Load Capacity with Side Shift at 600mm LC		Truck Weight (Unloaded)		
		Single Tire	Double Tire	With Backrest	With / o Backrest	Fwd	Bwd	Single Tire	Double Tire	Single Tire	Double Tire	Single Tire	Double Tire	
		mm	mm	mm	mm	deg	deg	kg	kg	kg	kg	kg	kg	
2-Stage Limited Free Lift	V270	2,720	2,085	2,070	120	120	8	10	4,500	4,500	4,500	4,500	6,440	6,549
	* V300	3,020	2,235	2,220	120	120	8	10	4,500	4,500	4,500	4,500	6,470	6,579
	V330	3,320	2,385	2,370	120	120	8	10	4,500	4,500	4,450	4,450	6,508	6,617
	V350	3,520	2,535	2,520	120	120	8	10	4,500	4,500	4,400	4,400	6,531	6,640
	V370	3,720	2,635	2,620	120	120	8	10	4,500	4,500	4,350	4,300	6,551	6,660
	V400	4,020	2,845	2,830	120	120	8	10	4,500	4,500	4,250	4,250	6,594	6,702
	V450	4,520	3,095	3,080	120	120	8	6	4,350	4,350	4,100	4,100	6,706	6,815
2-Stage full Free Lift	V500	5,020	3,345	3,330	120	120	8	6	4,200	4,250	4,000	3,950	6,757	6,866
	VF280	2,805	2,135	2,120	1,258	919	6	8	4,500	4,500	4,500	4,500	6,476	6,585
	VF300	3,005	2,235	2,220	1,358	1,019	6	8	4,500	4,500	4,500	4,500	6,502	6,611
3-Stage Full Free Lift	VF315	3,155	2,325	2,310	1,448	1,109	6	8	4,500	4,500	4,500	4,450	6,521	6,630
	TF370	3,730	2,035	2,020	796	1,114	6	6	4,500	4,500	4,250	4,250	6,697	6,808
	TF400	4,030	2,135	2,120	896	1,214	6	6	4,450	4,450	4,200	4,150	6,727	6,838
	TF430	4,330	2,235	2,220	996	1,314	8	8	4,350	4,350	4,100	4,100	6,758	6,869
	TF450	4,510	2,295	2,290	1,056	1,374	6	6	4,300	4,300	4,050	4,050	6,777	6,888
	TF470	4,720	2,385	2,390	1,145	1,484	6	6	4,250	4,250	4,000	4,000	6,813	6,925
	TF500	5,020	2,485	2,470	1,246	1,564	6	6	4,150	4,200	3,900	3,900	6,836	6,948
	TF550	5,520	2,665	2,650	1,426	1,744	6	6	4,000	4,050	3,650	3,800	6,898	7,009
TF600	6,030	2,845	2,830	1,606	1,924	6	6	3,300	3,900	3,100	3,650	6,966	7,077	
TF650	6,530	3,025	3,010	1,786	2,104	6	6	3,200	3,750	3,000	3,550	7,008	7,119	

50L-7A

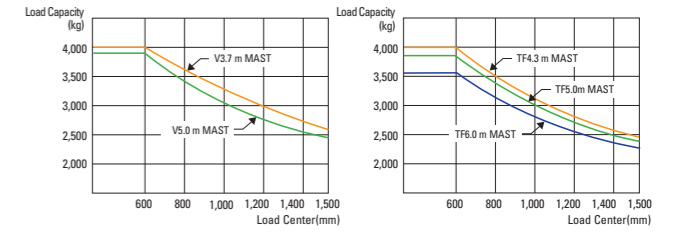
Mast Type	Maximum Fork Height	Overall Height (Lowered)		Free Lift Height		Tilt Angle		Load Capacity without Side Shift at 600mm LC		Load Capacity with Side Shift at 600mm LC		Truck Weight (Unloaded)		
		Single Tire	Double Tire	With Backrest	With / o Backrest	Fwd	Bwd	Single Tire	Double Tire	Single Tire	Double Tire	Single Tire	Double Tire	
		mm	mm	mm	mm	deg	deg	kg	kg	kg	kg	kg	kg	
2-Stage Limited Free Lift	V260	2,630	2,085	2,070	120	120	8	10	5,000	5,000	5,000	5,000	6,906	7,018
	* V290	2,930	2,235	2,220	120	120	8	10	5,000	5,000	4,950	4,950	6,931	7,043
	V320	3,230	2,385	2,370	120	120	8	10	5,000	5,000	4,850	4,850	6,956	7,068
	V340	3,430	2,535	2,520	120	120	8	10	5,000	5,000	4,800	4,800	6,981	7,093
	V360	3,630	2,635	2,620	120	120	8	10	5,000	5,000	4,750	4,750	6,998	7,109
	V390	3,930	2,845	2,830	120	120	8	10	4,900	5,000	4,650	4,650	7,033	7,145
	V440	4,430	3,095	3,080	120	120	8	6	4,750	4,800	4,450	4,500	7,136	7,248
2-Stage full Free Lift	V490	4,930	3,345	3,330	120	120	8	6	4,600	4,650	4,300	4,350	7,178	7,290
	VF270	2,697	2,135	2,120	905	1,223	6	8	5,000	5,000	5,000	5,000	6,924	7,036
	VF290	2,897	2,235	2,220	1,005	1,323	6	8	5,000	5,000	4,950	4,950	6,949	7,061
3-Stage Full Free Lift	VF305	3,047	2,325	2,310	1,095	1,413	6	8	5,000	5,000	4,900	4,900	6,967	7,079
	TF360	3,672	2,035	2,020	807	1,074	6	6	5,000	5,000	4,700	4,650	7,108	7,212
	TF390	3,972	2,135	2,120	907	1,174	6	6	4,900	4,900	4,600	4,600	7,134	7,238
	TF420	4,272	2,235	2,220	1,007	1,274	8	8	4,800	4,800	4,500	4,500	7,159	7,263
	TF440	4,452	2,295	2,280	1,067	1,334	6	6	4,750	4,750	4,450	4,450	7,176	7,279
	TF460	4,662	2,385	2,370	1,157	1,424	6	6	4,650	4,700	4,400	4,400	7,199	7,303
	TF490	4,962	2,485	2,470	1,257	1,524	6	6	4,600	4,600	4,350	4,350	7,224	7,328
	TF540	5,462	2,665	2,650	1,437	1,704	6	6	4,450	4,500	4,200	4,200	7,276	7,380
TF590	5,972	2,845	2,830	1,617	1,884	6	6	4,150	4,350	3,950	4,100	7,317	7,420	
TF640	6,482	3,025	3,010	1,797	2,064	6	6	4,050	4,250	3,850	4,000	7,358	7,462	

Load Capacity

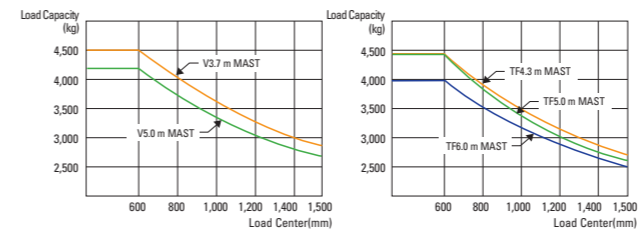
35L-7A



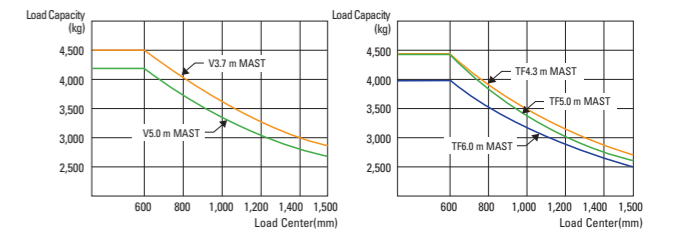
40L-7A



45L-7A



50L-7A



Optional Items

- CABIN
- SIDE SHIFT
- INTEGRAL FORK POSITIONER
- FORK (LXWXT)(MM)

- 35L-7A (HOOK TYPE)**
- 1,220 X 122 X 50 · 1,370 X 122 X 50 · 1,520 X 122 X 50
 - 1,670 X 122 X 50 · 1,820 X 122 X 50 · 1,970 X 122 X 50
 - 2,120 · 2,400

- 40L-7A (SHAFT · HOOK TYPE)**
- 1,070 X 150 X 50 · 1,370 X 150 X 50 · 1,520 X 150 X 50
 - 1,670 X 150 X 50 · 1,820 X 150 X 50 · 1,970 X 150 X 50
 - 2,120

- 45L-7A (HOOK TYPE)**
- 1,220 X 150 X 50 · 1,370 X 150 X 50 · 1,520 X 150 X 50
 - 1,670 X 150 X 50 · 1,820 X 150 X 50 (Class III, IV)
 - 1,970 X 150 X 50 (Class IV) · 2,200

- 45L-7A (SHAFT TYPE)**
- 1,220 X 150 X 50 · 1,370 X 150 X 50 · 1,520 X 150 X 50
 - 1,670 X 150 X 50 · 1,820 X 150 X 50 · 1,970 X 150 X 50

- 50L-7A (HOOK TYPE)**
- 1,350 X 150 X 60 · 1,500 X 150 X 60 · 1,800 X 150 X 60
 - 2,000 X 150 X 60 · 2,400 X 150 X 60
 - OPSS (Travel / Travel + mast)
 - OVER SHOE (MM) : 1,800 / 2,000 / 2,200

- TILTING : 8/6°, 8/8°
- TIRE : Cushion, No-marking, Double
- SEAT : Arm Rest, Hip Rest, Seat Belt
- LPG CLAMP : Swing Out • M.C.V : 4-Spool
- ATTACH PIPING : 3 Spool-piping, 4 Spool-piping
- MASTER SWITCH • BEACON LAMP
- HAZARD SWITCH
- BRAKE PEDAL
- Hydraulic Booster (w/o Accumulator)
- OPSS(TRAVEL/TRAVEL + MAST)
- INTEGRAL SHAFT TYPE CARRIAGE : 4.0/4.5Ton