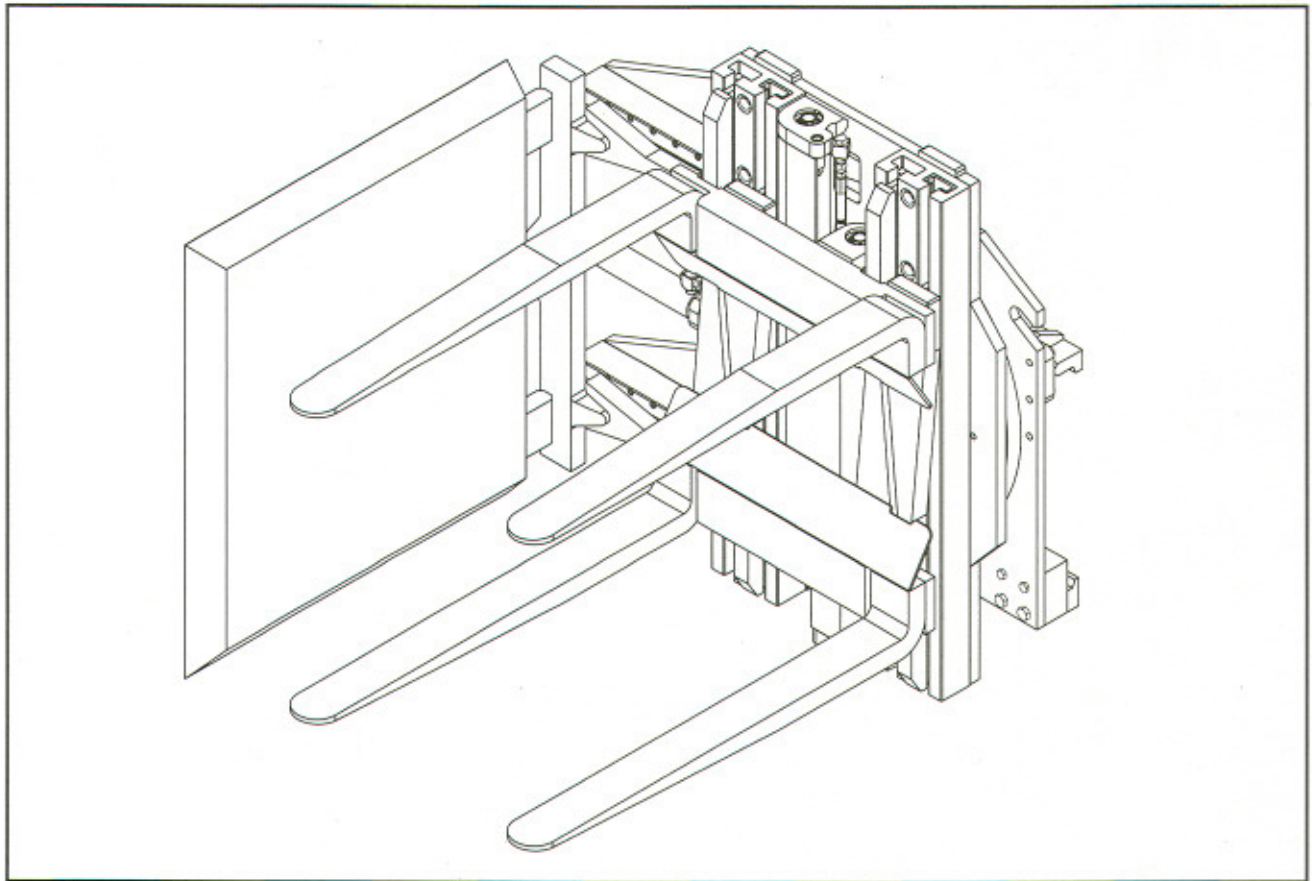


Turn A Load Clamp

With Side Plate



- The Turn A Load Clamp consists of right & left pair of fork. It is useful in handling stacked pallets of various widths, or for clamping bulky loads like cotton bales. A rotating type of Pallet Clamp is also available to facilitate the interchange of upper and lower pallets, and for removing the wire binding on baled pulp or bundled cords of timber, as well as for breaking crates.